

	Valve Size				
	4"	6"	8"	10"	12"
Flange O.D.	9"	11"	13-1/2"	16"	19"
B (overall width at Yoke)	10-1/4"	12-5/8"	15-1/8"	17-3/8"	19"
Bolt Circle Diameter	7.50"	9.50"	11.75"	14.25"	17.00"
Bolt Hole Dia.	3/4"	7/8"	7/8"	1"	1"
Stud Size*	5/8"	3/4"	3/4"	7/8"	7/8"
# of Bolt Holes*	8	8	8	12	12
C (Stem Major Dia.)	1.22"	1.22"	1.46"	1.46"	1.46"
Thread Type & Size**	T30 x 6	T30 x 6	T36 x 6	T36 x 6	T36 x 6
A (open height), NRS	9.59"	11.34"	13.33"	15.34"	17.66"
A (closed height), NRS	9.59"	11.34"	13.33"	15.34"	17.66"
A (open height), RS	12.45"	15.95"	19.97"	23.99"	28.69"
A (closed height), RS	10.03"	11.78"	13.81"	15.82"	18.14"
D (Valve opens), NRS	1-5/8"	2-5/8"	3-5/8"	4-1/2"	5-1/2"
D (Valve opens), RS	2"	3-3/4"	5-3/4"	7-3/4"	10"
Turns to Open, NRS	8.7	13	17.2	21	25.4
Turns to Open, RS	10.2	17.6	26	34.6	44.7

Part	Description	Mud Valve Type
1	Base Flange (Body)	Common to both types
2	Yoke	Common to both types
3	Gate	Rising Stem only
4	Gate	Non-rising Stem only
5	Seal	Common to both types
6	Seal Retainer	Common to both types
7	Stem	Rising Stem only
8	Stem	Non-rising Stem only
9	Guide, Threaded	Rising Stem only
10	Guide, Plain	Rising Stem only
11	Guide, Plain	Non-rising Stem only
12	Stem Connector	Common to both types
13	Connector Pin	Common to both types
14	Fasteners, Guide	Common to both types
15	Fasteners, Seal	Common to both types
16	Fasteners, Gate	Rising Stem only
17	Fasteners, Yoke	Common to both types

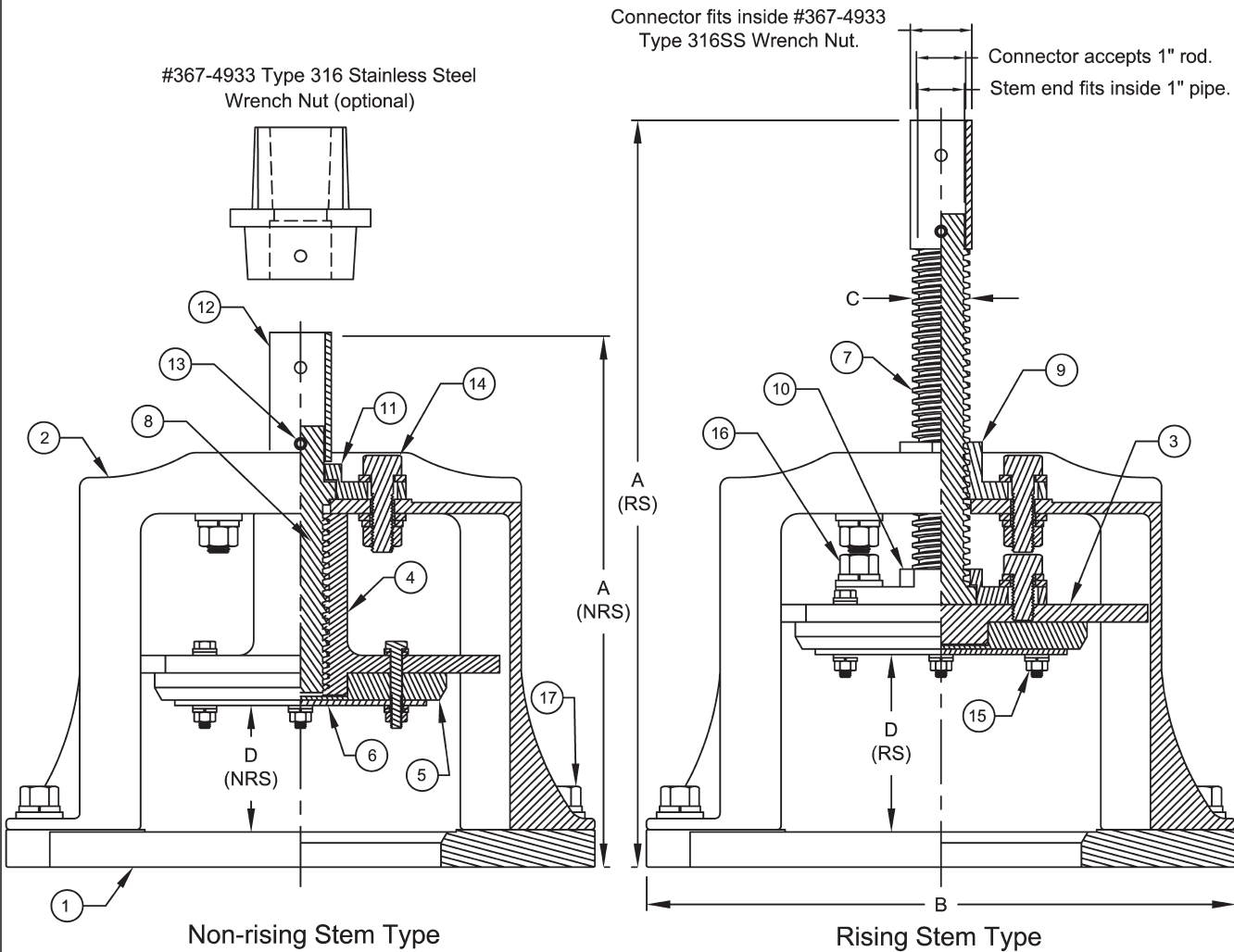
\*Standard 125 pound drilling template, with two holes covered by the Yoke.

\*\*Mud Valve series Stems use Trapezoidal Metric threads.

Note:

All items, except for the Seal and the sealing washers are Type 316 Stainless Steel.

Seal and sealing washers are SBR.



Drawn:	Drawing Revision:	
Date	Rev.	Date
7/24/07	A	7/24/07

**Trumbull Industries**  
P.O. Box 1556  
1040 N. Meridian Rd.  
Youngstown, Ohio 44501

Drawn to Scale  
**MUD VALVES**  
Type 316 Stainless Steel