



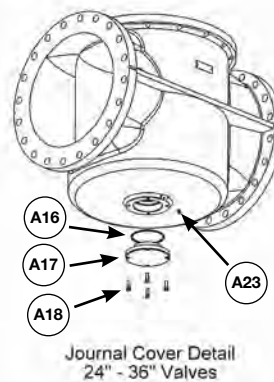
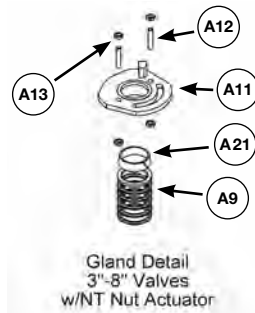
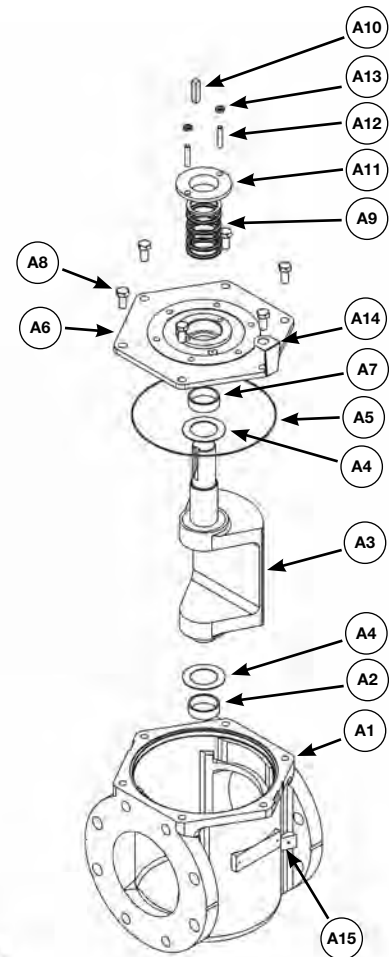
PEF 100% PORT ECCENTRIC PLUG VALVES TECHNICAL SPECIFICATIONS



Materials of Construction

Item	Description	Material
A1	Body	Cast Iron, ASTM A126, Class B
A2	Body Bearing	316L Stainless Steel, Sintered Stainless Steel
A3	Plug	Metal, (Ductile Iron, ASTM A536, Grade 65-45-12)
		CR Chloroprene
		NBR Acrylonitrile-Butadiene
A4	Grit Excluder	PTFE
A5	O-Ring	Non-asbestos filler in Styrene-Butadiene Rubber binder (NBR)
A6	Bonnet	Cast Iron, ASTM A126, Class B
A7	Bonnet Bearing	316L Stainless Steel, Sintered Stainless Steel
A8	Bonnet Screws	Carbon Steel, Class 8.8, Zinc Plated
		Stainless Steel, Grade A2, (18-8)
		Stainless Steel, Grade A4, (316)
A9	Packing	NBR Acrylonitrile-Butadiene, V-Type
A10	Key	Steel, ASTM A108
A11	Gland	Cast Iron, ASTM A126, Class B
A12	Gland Stud	Carbon Steel, Class 8.8, Zinc Plated
		Stainless Steel, Grade A2, (18-8)
		Stainless Steel, Grade A4, (316)
A13	Nut	Carbon Steel, Zinc Plated
		Stainless Steel, A2, (18-8)
		Stainless Steel, A4, (316)
A14	Caution Tag	Stainless Steel
A15	Pipe Plug (optional)	Galvanized Carbon Steel
A16	O-Ring	Non-asbestos filler in Styrene-Butadiene Rubber binder (NBR)
A17	Journal Cover	Cast Iron, ASTM A126, Class B
A18	Screw	Carbon Steel, Class 8.8, Zinc Plated
		Stainless Steel, Grade A2, (18-8)
		Stainless Steel, Grade A4, (316)
A21	Friction Cone	Ryton
A23	Pipe Plug (optional)	Galvanized Carbon Steel
		316 Stainless Steel

Flanged Construction 3" (80mm) and Larger



Valve Assembly
3" - 36" Valves

Applicable Standards

DeZURIK PEF 100% Port Eccentric Plug Valves are designed and/or tested to meet the following standards:

AWWA C517-05 Resilient-Seated Cast-Iron Eccentric Plug Valve.

ANSI flange drilling conforms to ANSI B16.1, Class 125 and ANSI B16.5, Class 150.

Mechanical-joint end connections conform to ANSI/AWWA C111/A21.11.

MSS-SP91 guidelines for manual operation of valves.

Metric 10 bar flange drilling conforms to the NP 10 requirements of International Standard ISO 2084, to the 10 bar requirements of British Standard 4504, and to the NP 10 requirements of German Standard DIN 2532.

Metric 16 bar flange drilling conforms to the NP 16 requirements of International Standard ISO 2084, to the 16 bar requirements of British Standard 4504, and to the NP 16 requirements of German Standard DIN 2533.

British Table D flange drilling and Table E flange drilling conform to British Standard BS 10.

Japanese 10 bar flange drilling conforms to Japanese Industrial Standard JIS B 0203.

* Patent Pending

Valve Selection

Cv/Kv Values

Valve Size	Cv* Kv*
3" 80mm	880 760
4" 100mm	1160 1000
5 & 6" 125 & 150mm	1960 1700
8" 200mm	3100 2680
10" 250mm	4540 3930
12" 300mm	6300 5450
14" 350mm	7560 6530
16" 400mm	9840 8500
18" 450mm	12500 10800
20" 500mm	15400 13300
24" 600mm	41400 35800
30" 750mm	65500 56600
36" 900mm	95100 82200

*Cv = Flow in GPM of water at 1 psi pressure drop.
*Kv = Flow in m³/hr. of water at 100 kPa pressure drop.

Basic Valve Weights

Valve Size	Flanged lbs/kg	M.J. lbs/kg
3" 80mm	57 26	60 27
4" 100mm	72 33	82 37
5" 125mm	120 54	N/A
6" 150mm	120 54	138 63
8" 200mm	185 84	207 94
10" 250mm	264 120	296 134
12" 300mm	375 170	395 179
14" 350mm	555 252	595 270
16" 400mm	698 317	784 356
18" 450mm	1015 460	1091 495
20" 500mm	1340 608	1389 630
24" 600mm	3160 1433	2984 1354
30" 750mm	5305 2406	5145 2334
36" 900mm	8225 3731	8110 3679

Note: Basic Valve – is a fully assembled bare shaft valve

Pressure Ratings

C.W.P. Non-Shock Working Pressure Ratings

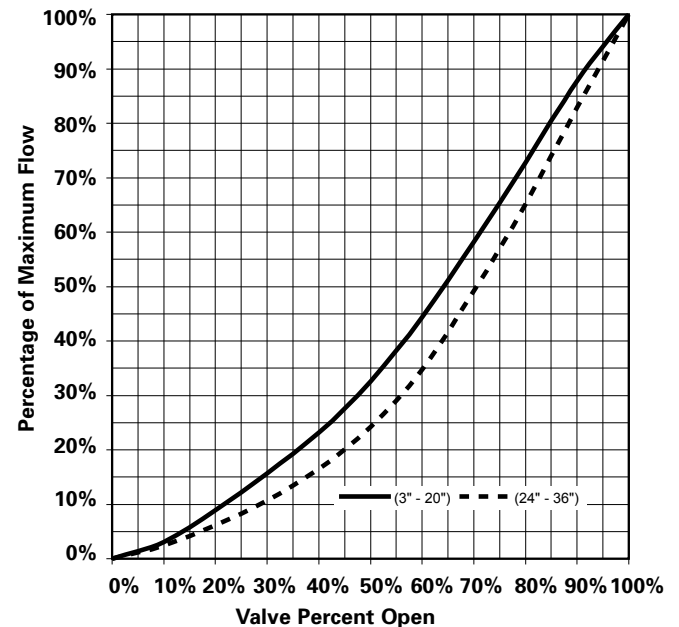
Material	Valve Size	
	3–12" (80–300mm)	14–36" (350–900mm)
Cast Iron (ASTM A126-Grade B)	175 psi 1210 kPa	150 psi 1035 kPa

* Cast Iron conforms to ANSI B16.1 Class 125 Hydrostatic Test.

Temperature Rating

180°F continuous max temp rating.

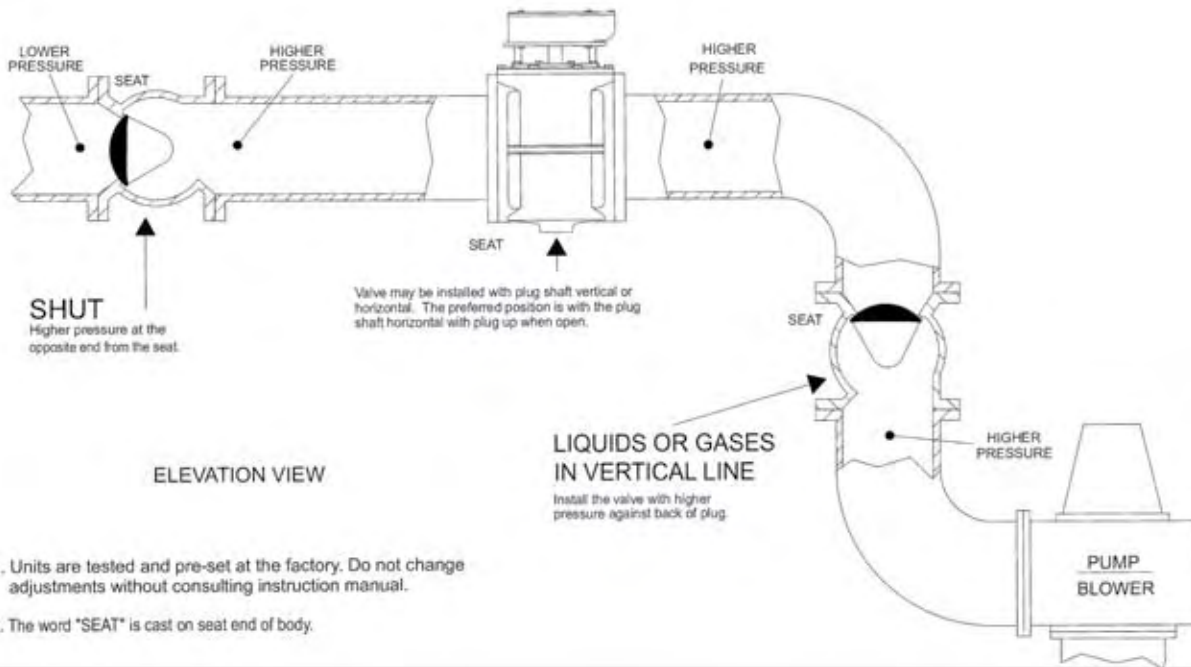
Flow Characteristic



Installation Instructions

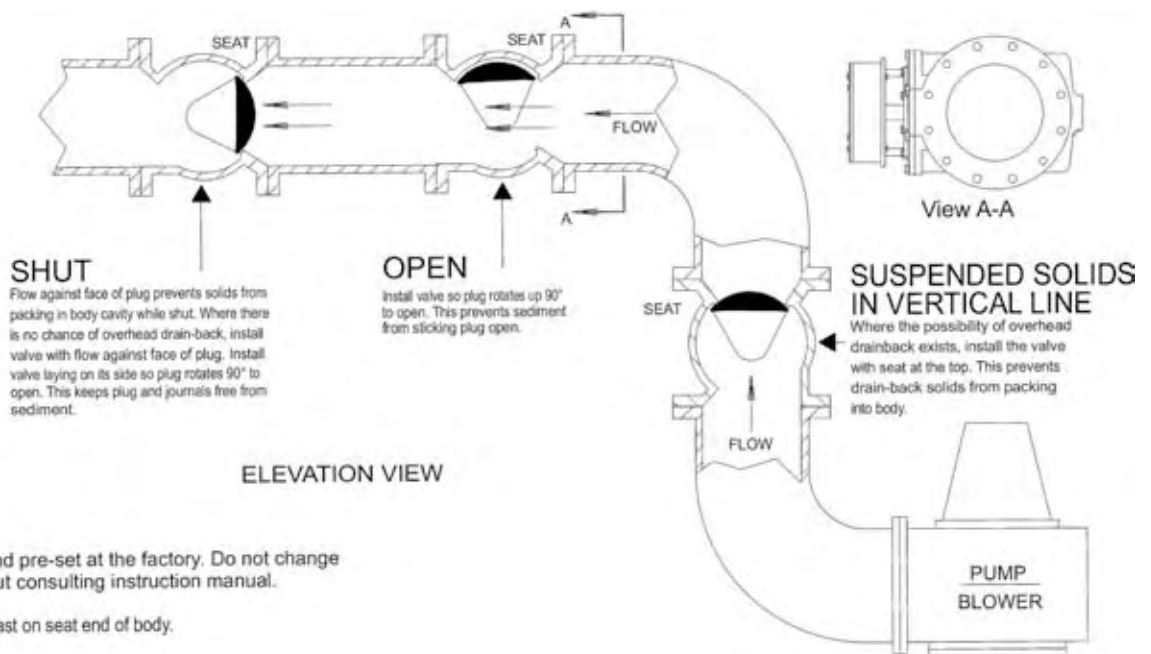
Clean Liquids and Clean Gases

The proper installation of a DeZURIK PEF 100% Eccentric Plug Valve in clean liquids and gases applications is with the higher pressure against the end opposite the seat.



Liquids with Suspended Solids and Dirty Gases

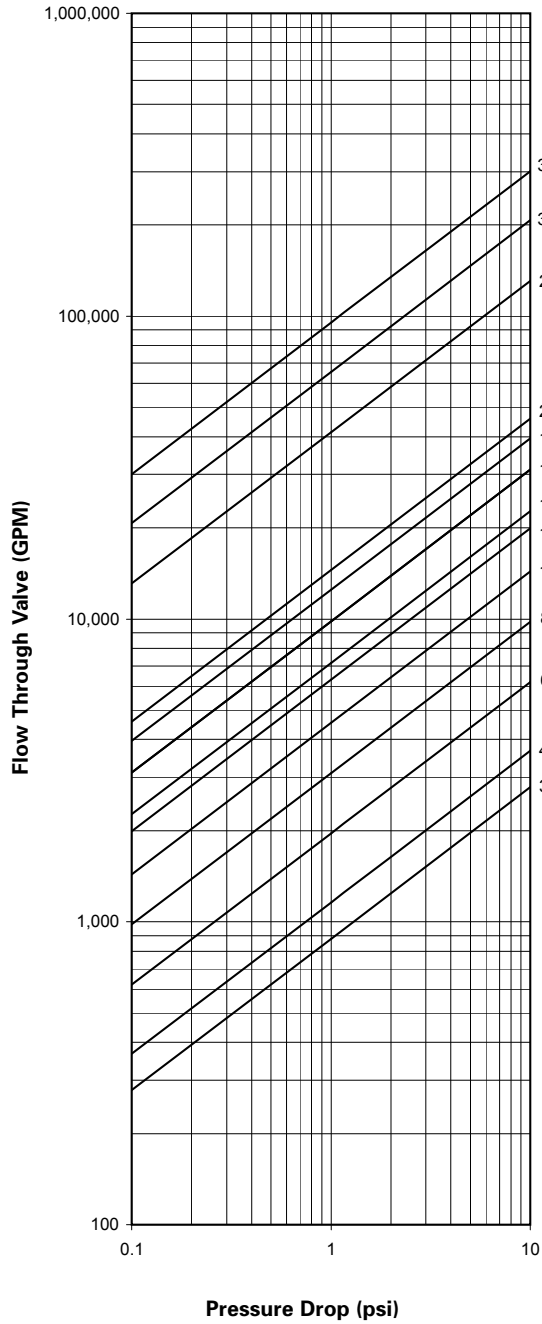
The proper installation of a DeZURIK PEF 100% Eccentric Plug Valve in suspended solids applications such as raw sewage is critical to prevent solids from packing into the valve body, restricting the plug movement. This can be accomplished by installing the valve with the flow against the face of the plug in the closed position and the valve on its side with the plug rotating to the top of the pipeline in the open position. For pump isolation service, install the discharge valve with the seat downstream from the pump and the plug rotating to the top of the pipeline in the open position.



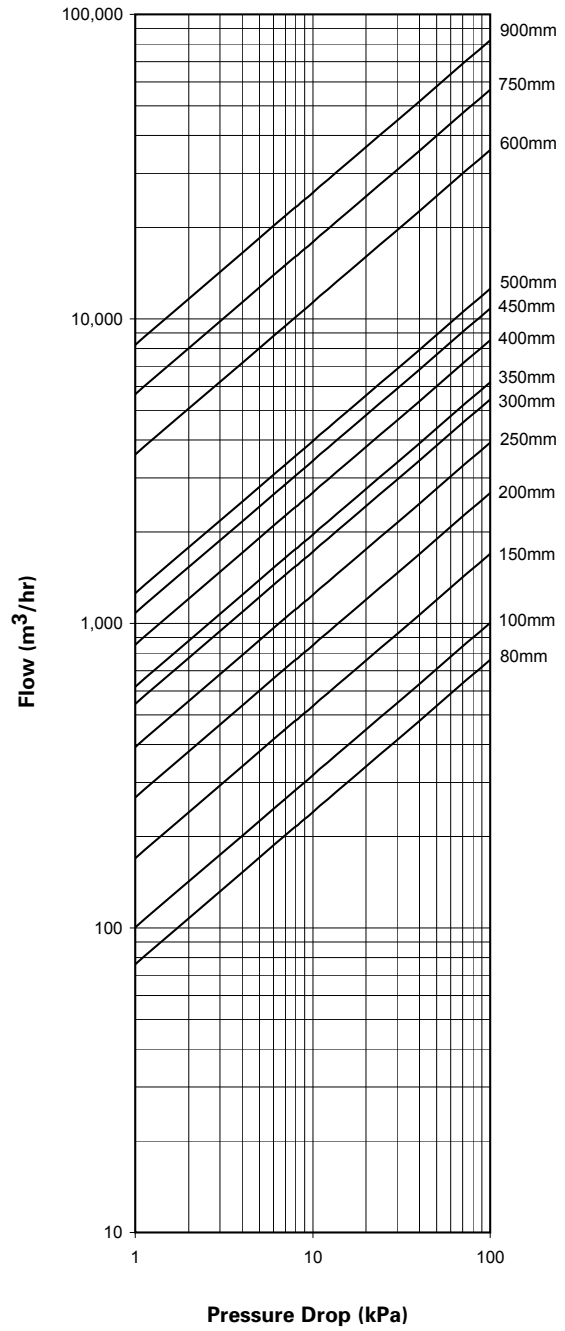
Valve Sizing

Flow Charts

Valve Fully Open



Valve Fully Open - Metric



Ordering

To order, simply complete the valve order code from information shown. An ordering example is shown for your reference.

Valve Style

Give valve style code as follows:

PEF = 100% Port Eccentric Plug

Valve Size

Give valve size code as follows:

3	=	3"	(80mm)	14	=	14"	(350mm)
4	=	4"	(100mm)	16	=	16"	(400mm)
5	=	5"	(125mm)	18	=	18"	(450mm)
6	=	6"	(150mm)	20	=	20"	(500mm)
8	=	8"	(200mm)	24	=	24"	(600mm)
10	=	10"	(250mm)	30	=	30"	(750mm)
12	=	12"	(300mm)	36	=	36"	(900mm)

End Connection

Give end connection code as follows:

F1 = Flanged, ANSI Class 125/150
F110 = Flanged, ANSI Class 150, DIN 10 or B54504/10
F116 = Flanged, ANSI Class 150, DIN 16 or B54504/16
F1D = Flanged, ANSI Class 150, BS Table D
F1E = Flanged, ANSI Class 150, BS Table E
F1J1 = Flanged, ANSI Class 150, JIS Drilling
MJ = Mechanical Joint (Not Available on 5")

Body Material

Give body material code as follows:

CI = Cast Iron

Packing

Give packing code as follows:

NBR = Acrylonitrile-Butadiene V-Type
Multiple V-Ring -20 to 180°F (-29 to 83°C)

Plug Facing

Give plug facing code as follows:

Standard facings:

CR = Chloroprene (RS 16/17) -20 to 180°F (-29 to 83°C)
CIIR = Chloro-Isobutene Isoprene (RS55/56)
-20 to 250°F (-29 to 121°C)
NBR = Acrylonitrile-Butadiene (RS24/25) -20 to 180°F (-29 to 83°C)

Options

DST = Dry Seat Test
PD = 1/4" Pipe Tap Downstream (See note)
PU = 1/4" Pipe Tap Upstream (See note)
PDU = 1/4" Pipe Tap Downstream and Upstream
GR = Grease Fittings in Body & Bonnet
(Flanged Valves only) not available with ENK extension
-- = Optional coating

Note: If both PD and PU are required, a six digit modifier must be used.

Ordering Example:

PEF,8,F1,CI,NBR,CR*GS-6A-HD8

Note: The limiting factor in valve selection is the lowest temperature limit of the packing or seat.

Manual Actuators

Pressure Ratings

Direct shutoff pressure differentials for nut or lever actuated valves must not exceed the limits shown below. Reverse shutoff differentials must not exceed 25 psi (170 kPa). If valves must seal higher reverse pressure, use gear actuators. Gear or powered actuators are recommended on 6" (150mm) and larger valves as well as on applications where pipeline velocities are high and where sudden valve closure may cause water hammer.

Maximum Shutoff Pressure Differentials

Valve Size	Nitrile-Butadiene (Buna V) NBR Packing
3 & 4" 100mm	125 psi 860 kPa
5-8" 150-200mm	100 psi 690 kPa

Nut (NT)

Furnished as standard on 3-8" (80-200mm) valves. Must be ordered to use VB, ENLVA, EF, LVA, CHA, LVF, and WRT. To order, add code NT to basic valve code.

Ordering Example:
PEF,4,F1,CI,NBR,CR*NT

Adjustable Memory Stop

All 3-8" (80-200mm) lever actuated valves are furnished with an adjustable, open position memory stop as standard. Adjustment of the stop to the desired open position allows the valve to be closed and reopened to the same throttling position.

Lever (LVA)

For use with NT actuators on 3-8" (80-200mm) valves. Lever must be ordered separately.

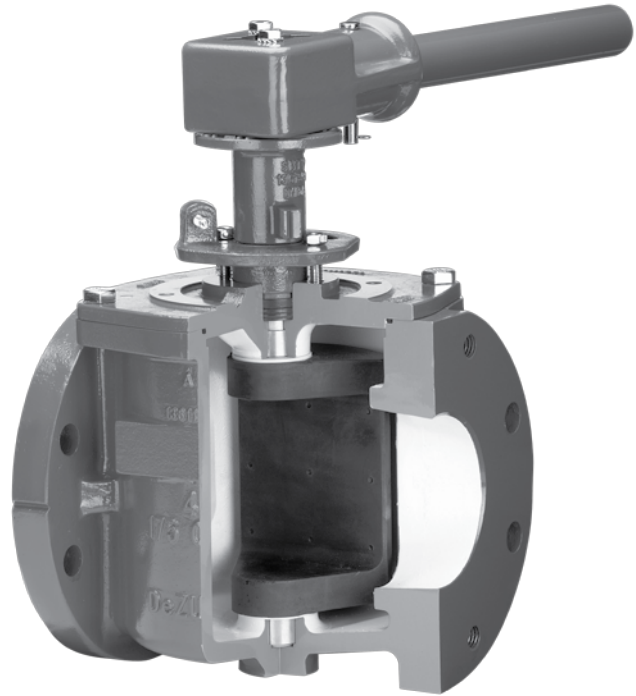
Order Code	Size
ACC*LVA-3	3" (80mm)
ACC*LVA-4	4" (100mm)
ACC*LVA-5	5" (125mm)
ACC*LVA-6	6" (150mm)
ACC*LVA-8	8" (200mm)

Ordering Example:
ACC*LVA-4

Stainless Steel Bolting

Specify bolting requirements by giving code SB18 for 18-8 Stainless Steel or SB16 for 316 Stainless Steel.

Ordering Example:
PEF,8,FI,CI,NBR,CR*GS-6A-HD8,SB16



Chain Handle (CHA)

For use on 3-8" (80-200mm) valves with NT Nut. Chain Handle must be ordered separately by giving code ACC*CHA followed by a dash and valve size.

Order Code	Size
ACC*CHA-3	3" (80mm)
ACC*CHA-4	4" (100mm)
ACC*CHA-5	5" (125mm)
ACC*CHA-6	6" (150mm)
ACC*CHA-8	8" (200mm)

Ordering Example:
ACC*CHA-4

Chain for Chain Handle (CN)

Order as a separate item by giving code per chart. Specify number of feet required and number of pieces.

Order Code	Size	Description
ACC*CN102	3 - 36" (80-900mm)	Standard 3/16" Coil
ACC*CN103	3 - 36" (80-900mm)	Galvanized 3/16" Coil
ACC*CN104	3 - 36" (80-900mm)	316 Stainless Steel 3/16" Coil

Ordering Example:
ACC*CN102
Chain 1 piece 10 feet long.

Manual Actuators

The G-Series and MG manual actuators construction are totally enclosed and sealed, protecting moving parts from damage or corrosion. Continual lubrication is not required for operational ease. Heavy duty, corrosion-resistant actuator bearings provide lasting, easy valve operation and overall reliability. Rugged actuator castings, gears and shafts also add to reliability by assuring permanent alignment of moving parts for smooth operation.

To order, add the appropriate actuator code from the sizing tables to the valve order code. For buried service valves, substitute "GS" with "GB" and "MG" with "MGB". If 2" (50mm) nut is required, see page 11.



Direct Pressure, Resilient Plug, Metal Seat

Valve Size	Handwheel Order Code	Chainwheel Order Code	Max. Shutoff Pressure Differential psi/kPa
3" 80mm	GS-6A-HD8	GS-6A-CW8	175 1210
4" 100mm	GS-6A-HD8	GS-6A-CW8	175 1210
5 & 6" 125 & 150mm	GS-6A-HD8	GS-6A-CW8	175 1210
8" 200mm	GS-6A-HD8	GS-6A-CW8	175 1210
10" 250mm	GS-6A-HD8	GS-6A-CW8	75 520
	GS-6A-HD12	GS-6A-CW12	125 860
	GS-12A-HD12	GS-12A-CW12	175 1210
12" 300mm	GS-6A-HD12	GS-6A-CW12	75 520
	GS-12A-HD12	GS-12A-CW12	125 860
	GS-12A-HD16	GS-12A-CW20	175 1210
14" 350mm	GS-12A-HD12	GS-12A-CW12	50 340
	GS-12A-HD16	GS-12A-CW20	100 690
	GS-12A-HD20	GS-12A-CW20	150 1030
16" 400mm	GS-12A-HD16	GS-12A-CW20	50 340
	GS-12A-HD20	GS-12A-CW20	75 250
	GS-12A-HD24*	GS-12A-CW24	150 1030
18" 450mm	GS-12A-HD20	GS-12A-CW20	25 170
	GS-12A-HD24*	GS-12A-CW24	50 340
	GS-12A-HD30	GS-12A-CW30	125 860
	MG-MJ50-HD20	MG-MJ50-CW20	150 1030
20" 500mm	GS-12A-HD24*	GS-12A-CW24	25 170
	GS-12A-HD30*	GS-12A-CW30*	75 250
	MG-MJ50-HD24	MG-MJ50-CW24	150 1050
24" 600mm	MG-MJ50-HD12	MG-MJ50-CW12	75 250
	MG-MJ50-CW24	MG-MJ50-CW24	150 1050

*Mounting positions 90 & 270 not available

Valve Size	Handwheel Order Code	Chainwheel Order Code	Max. Shutoff Pressure Differential psi/kPa
30" 750mm	MG-MJ50-HD24	MG-MJ50-CW24	50 340
	MG-MJ50-HD30*	MG-MJ50-CW30*	75 520
	MG-ML60-HD24	MG-ML60-CW24	150 1030
36" 900mm	MG-ML60-HD24	MG-ML60-CW24	100 690
	MG-ML60-HD30	MG-ML60-CW30	150 1030

Direct Pressure, Weatherproof Nut Actuator

Valve Size	Order Code	Max. Shutoff Pressure Differential psi/kPa
3" 80mm	GS-6A-N	175 1210
4" 100mm	GS-6A-N	175 1210
5 & 6" 125 & 150mm	GS-6A-N	175 1210
8" 200mm	GS-6A-N	175 1210
10" 250mm	GS-6A-N	175 1210
12" 300mm	GS-6A-N	175 1210
14" 350mm	GS-12A-N	150 1030
16" 400mm	GS-12A-N	150 1030
	GS-12A-N	125 860
18" 450mm	GS-12A-N	150 1035
	MG-MJ50-N	150 1035
20" 500mm	GS-12A-N	75 515
	MG-MJ50-N	150 1035
24" 600mm	MG-MJ50-N	150 1035
30" 750mm	MG-MJ50-N	75 520
	MG-ML60-N	150 1035
36" 900mm	MG-ML60-N	150 1035

Ordering Example:

PEF,6,F1,CI,NBR,CR*GB-6A-N
PEF,14,F1,CI,NBR,CR*GS-12A-N

Reverse Pressure, Resilient Plug, Metal Seat

Valve Size	Handwheel Order Code	Chainwheel Order Code	Max. Shutoff Pressure Differential psi/kPa
3" 80mm	GS-6A-HD8	GS-6A-CW8	175 1210
4" 100mm	GS-6A-HD8	GS-6A-CW8	175 1210
5 & 6" 125 & 150mm	GS-6A-HD8	GS-6A-CW8	175 1210
8" 200mm	GS-6A-HD8	GS-6A-CW8	125 860
	GS-6A-HD12	GS-6A-CW12	175 1210
10" 250mm	GS-6A-HD12	GS-6A-CW12	75 520
	GS-12A-HD12	GS-12A-CW12	150 1030
	GS-12A-HD16	GS-12A-CW20	175 1210
12" 300mm	GS-6A-HD12	GS-6A-CW12	25 170
	GS-12A-HD12	GS-12A-CW12	75 520
	GS-12A-HD16	GS-12A-CW20	150 1030
	GS-12A-HD20	GS-12A-CW20	175 1210
14" 350mm	GS-12A-HD12	GS-12A-CW12	25 170
	GS-12A-HD16	GS-12A-CW20	75 520
	GS-12A-HD20	GS-12A-CW20	100 690
	GS-12A-HD24*	GS-12A-CW24*	150 1030
16" 400mm	GS-12A-HD16	GS-12A-CW20	25 170
	GS-12A-HD20	GS-12A-CW20	50 340
	GS-12A-HD24	GS-12A-CW24*	125 860
	MG-MJ50-HD12	MG-MJ50-CW12	150 1030
18" 450mm	GS-12A-HD20	GS-12A-CW20	25 170
	GS-12A-HD24	GS-12A-CW24	50 340
	GS-12A-HD30	GS-12A-CW30*	75 520
	MG-MJ50-HD24	MG-MJ50-CW24	150 1030
20" 500mm	GS-12A-HD30*	GS-12A-CW30*	50 340
	MG-MJ50-HD24	MG-MJ50-CW24	150 1050
24" 600mm	MG-MJ50-HD12	MG-MJ50-CW12	50 340
	MG-MJ50-HD24	MG-MJ50-CW24	100 690
	MG-MJ50-HD30*	MG-MJ50-CW30*	150 1050
30" 750mm	MG-MJ50-HD24	MG-MJ50-CW24	50 340
	MG-MJ50-HD30*	MG-MJ50-CW30*	75 520
	MG-ML60-HD24	MG-ML60-CW24	150 1030
36" 900mm	MG-ML60-HD24	MG-ML60-CW24	100 690
	MG-ML60-HD30	MG-ML60-CW30	150 1030

Reverse Pressure, Weatherproof Nut Actuator

Valve Size	Order Code	Max. Shutoff Pressure Differential psi/kPa
3" 80mm	GS-6A-N	175 1210
4" 100mm	GS-6A-N	175 1210
5 & 6" 125 & 150mm	GS-6A-N	175 1210
8" 200mm	GS-6A-N	175 1210
10" 250mm	GS-6A-N	175 1210
12" 300mm	GS-6A-N	175 1210
14" 350mm	GS-12A-N	150 1030
16" 400mm	GS-12A-N	125 860
	GS-12A-N	75 520
18" 450mm	MG-MJ50-N	150 1035
	GS-12A-N	50 340
20" 500mm	MG-MJ50-N	150 1035
	MG-MJ50-N	150 1035
24" 600mm	MG-MJ50-N	150 1035
30" 750mm	MG-MJ50-N	75 520
	MG-ML60-N	150 1035
36" 900mm	MG-ML60-N	150 1035

Ordering Example:

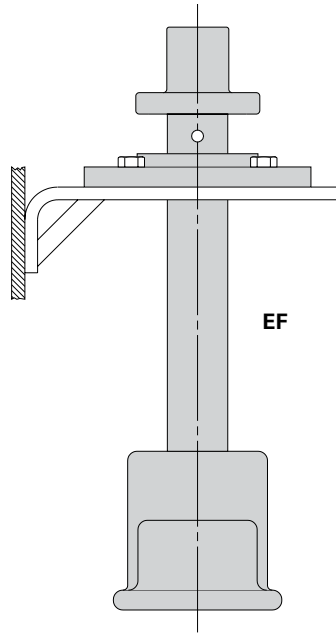
PEF,24,F1,C1,NBR,CR*MG-MJ50-N
PEF,36,F1,C1,NBR,CR*MGB-MJ60-N

*Mounting positions 90 & 270 not available

Accessories-Manual Actuators

EFA Extension for Nut Actuated Valves

For use on 3–8" (80–200mm) valves. Includes extension pipe, bearing plate and couplings. Valves for use with EFA extensions must be ordered with NT actuators. Order Extension Assembly as a separate item. Specify length from centerline of valve to bottom of bearing plate. When ordering for use with FS101 Floor Stand, give dimension from centerline of valve to base of floor stand.



EF

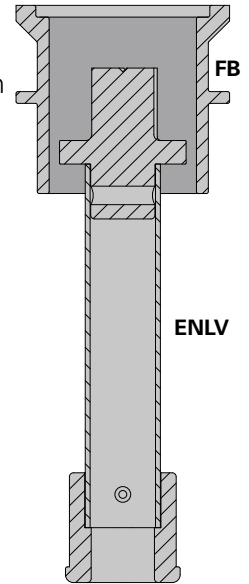
Ordering Example:

ACC*EF-4

Centerline of valve to bottom of bearing plate 110" (2795mm).

FB Floor Box for Nut Actuated Valves

Includes floor box and cover only. Can be used with valves having operating nut mounted on the valve or extended with top of nut 2" (50mm) from top of floor box. All valves for use with floor boxes are Tee Wrench actuated (order separately). Order extended operating nuts (ENLVA) separately. Floor box requires NT actuators (order separately). Order floor boxes separately. Specify ACC*FB and depth of floor box in 1" (25mm) increments from 6–18" (150–455mm). Standard depth is 6" (150mm).



ENLVA

Ordering Example:

ACC*FB6

ENLVA Extended Nut for Nut Actuated Valves

For use on 3–8" (80–200mm) nut actuated valves. Includes operating nut, couplings and pipe. Valves for use with ENLVA Extended Nut must be ordered with NT actuators. All valves for use with ENLVA are Tee Wrench activated (order separately). Order as a separate item by giving ACC*ENLVA followed by a dash and valve size. Give required length from centerline of valve to top of nut. Note dimensions in table.

Valve Size	Minimum Dimension C/L of Valve to Top of Nut
3" 80mm	16.19" 411mm
4" 100mm	16.69" 424mm
5–6" 125–150mm	19.12" 486mm
8" 200mm	22.38" 570mm

Ordering Example:

ACC*ENLVA-8

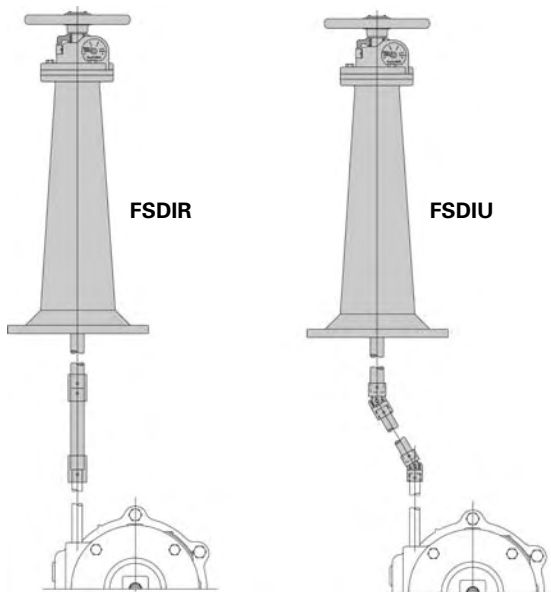
Centerline of valve to top of valve nut 126" (3200mm).

FSDIR and FSDIU Floor Stand for Gear Actuated Valves

For use on 3–36" (80–900mm) handwheel actuated valves. Includes floor stand, couplings, extension rod, and handwheel mounted on floor stand, with dial position indicator. Order floor stand by adding FSDIR or FSDIU to the valve actuator code.

Ordering Example:

PEF,6,F1,NBR,CR*,GS-6A-HD12,FSDIR



FSDIR

FSDIU

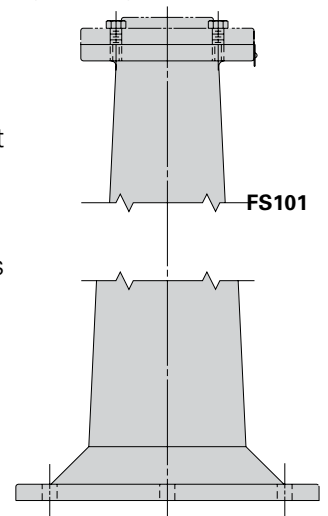
Centerline of valve to base of floor stand 90" (2400mm).

FS101 Floor Stand for Nut Actuated Valves

For use on 3–8" (80–200mm) nut actuated valves. Includes floor stand only. For extension pipe and fittings, order EFA Extension Assembly. Lever actuated valves for use with EFA Extension and FS101 Floor Stand must be ordered NT actuators. Order floor stands as a separate item.

Ordering Example:

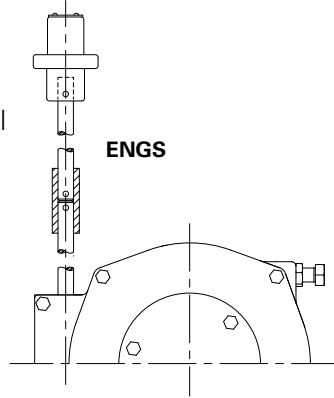
ACC*FS101



FS101

ENGS Extended 2" (50mm) Nut for Gear Actuated Valves

The ENGS is for use on 3–36" (80–900mm) PEF Eccentric Plug Valves with G-Series and MG Handwheel Manual Actuator. Includes couplings, extension rod and 2" (50mm) square nut. If used with valve box, top of nut must be 6" (150mm) below grade. If used with floor box, top of nut must be 2" (50mm) below floor surface. Handwheels are not furnished on actuators ordered with ENGS. Order by adding ENGS to the valve actuator code. Specify required length from centerline of valve to top of nut as second line information.



Ordering Example:

PEF,6,F1,CI,NBR,CR*GB-6A-N,ENGS
Centerline of valve to top of nut 72" (1830mm).

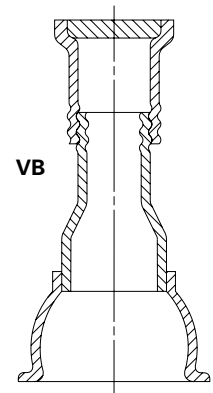
WRT Tee Wrench

For use on 3–8" (80–200mm) nut or gear actuated valves with 2" (50mm) nut. Valves for Tee Wrench operation must be ordered with NT actuator. Contact factory to order Tee Wrenches.

Accessories – Manual Actuators

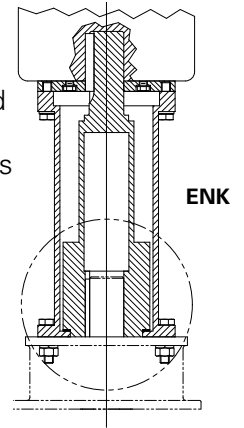
VB Valve Box for Nut Actuated Valves

Valve boxes for use on 3–8" (80–200mm) valves require a nut (NT) or extended nut (ENLV) type actuator. Valve boxes for use on 3–36" (80–900mm) valves with a gear actuator (GB) require a 2" (50mm) Nut (N) or extended 2" (50mm) Nut (ENGS) actuator. Extended nut must be 6" (150mm) from the top of the valve box. Contact factory to order.



ENK Neck Extension for G-Series Actuators

Valves for buried or submerged service can be furnished with handwheel or cylinder actuators extended above the ground. Furnish service information for recommendations.



2" (50mm) Nut on Gear Actuators

The nut replaces the handwheel normally supplied. A 2" (50mm) nut is required for use with valve box (VB) or floor box (FB). To order replace the handwheel code with "N".

Ordering Example:

PEF,6,F1,CI,NBR,CR*GB-6A-N

Cylinder Actuators

G-Series cylinder actuators feature a rack and pinion design for larger size rotary valves where constant torque capability throughout the stroke is required. It is engineered for high flow, high cycle applications. The G-Series line of actuators provides long service life and features a rugged, heavy cast gear sector. The cast iron actuator housing is sealed to prevent the entry of dirt, moisture and corrosive contaminants. The G-Series actuator also features adjustable position stops, rugged cylinder construction and corrosion-resistant bearings.

Double-Acting

To order double-acting cylinder actuators for PEF Eccentric Plug Valves, add the order code from the proper table to the valve order code. Actuators for 3–36" (80–900mm) valves can be mounted at 90 degree increments clockwise from standard. Specify mounting positions other than standard as second line information. When using hydraulic supply media, specify type. Please note, valves for gas service must be furnished with gear or cylinder actuator.

Direct Pressure, Resilient Plug, Metal Seat 50 psi (340kPa) Air Supply

Valve Size	Actuator Code	Maximum Shutoff 50 psi 340 kPa
3" 80mm	GS-6A-PC4*	175 1210
	GS-6A-PC6	175 1210
4" 100mm	GS-6A-PC4*	175 1210
	GS-6A-PC6	175 1210
5 & 6" 125 & 150mm	GS-6A-PC6	125 860
	GS-6A-PC8	175 1210
8" 200mm	GS-6A-PC6	50 340
	GS-6A-PC8	150 1030
	GS-12A-PC6	175 1210
10" 250mm	GS-6A-PC8	150 1030
	GS-12A-PC6	100 690
	GS-12A-PC8	175 1210
12" 300mm	GS-6A-PC8	25 170
	GS-12A-PC8	100 690
	GS-12A-PC10	175 1210
14" 350mm	GS-12A-PC8	50 340
	GS-12A-PC10	125 860
	O/A	150 1030
16" 400mm	GS-12A-PC10	50 340
	O/A	150 1030
18" 450mm	GS-12A-PC10	25 170
	O/A	150 1030
20" 500mm	O/A	150 1030
24" 600mm	O/A	150 1030
30" 750mm	O/A	150 1030
36" 900mm	O/A	150 1030

* PC4 Cylinder not recommended with positioner

Cylinder Actuators

**Direct Pressure, Resilient Plug, Metal Seat
80 psi (550 kPa) Air Supply**

Valve Size	Actuator Code	Maximum Shutoff 80 psi 550 kPa
3" 80mm	GS-6A-PC4*	175 1210
	GS-6A-PC6	175 1210
4" 100mm	GS-6A-PC4*	175 1210
	GS-6A-PC6	175 1210
5 & 6" 125 & 150mm	GS-6A-PC4*	75 250
	GS-6A-PC6	175 1210
8" 200mm	GS-6A-PC6	125 860
	GS-6A-PC8	175 1210
10" 250mm	GS-6A-PC6	50 340
	GS-6A-PC8	125 860
	GS-12A-PC6	150 1030
	GS-12A-PC8	175 210
12" 300mm	GS-6A-PC6	25 170
	GS-6A-PC8	75 520
	GS-12A-PC6	100 690
	GS-12A-PC8	175 1210
14" 350mm	GS-12A-PC8	125 860
	GS-12A-PC10	150 1030
16" 400mm	GS-12A-PC8	50 340
	GS-12A-PC10	125 860
	O/A	150 1030
18" 450mm	GS-12A-PC8	25 170
	GS-12A-PC10	50 340
	O/A	150 1030
20" 500mm	GS-12A-PC10	25 170
	O/A	150 1030
24" 600mm	O/A	150 1030
30" 750mm	O/A	150 1030
36" 900mm	O/A	150 1030

* PC4 Cylinder not recommended with positioner

**Reverse Pressure, Resilient Plug, Metal Seat
50 psi (340 kPa) Air Supply**

Valve Size	Actuator Code	Maximum Shutoff 50 psi 340 kPa
3" 80mm	GS-6A-PC4*	175 1210
	GS-6A-PC6*	175 1210
4" 100mm	GS-6A-PC4*	100 690
	GS-6A-PC6	175 1210
5 & 6" 125 & 150mm	GS-6A-PC6	100 690
	GS-6A-PC8	175 1210
8" 200mm	GS-6A-PC6	25 170
	GS-6A-PC8	100 690
	GS-12A-PC6	125 860
	GS-12A-PC8	175 1210
10" 250mm	GS-6A-PC8	25 170
	GS-12A-PC6	50 340
	GS-12A-PC8	125 860
	GS-12A-PC10	175 1210
12" 300mm	GS-12A-PC8	75 520
	GS-12A-PC10	150 1030
14" 350mm	GS-12A-PC8	25 170
	GS-12A-PC10	75 520
	O/A	150 1030
16" 400mm	GS-12A-PC10	25 170
	O/A	150 1030
18" 450mm	O/A	150 1030
20" 500mm	O/A	150 1030
24" 600mm	O/A	150 1030
30" 750mm	O/A	150 1030
36" 900mm	O/A	150 1030

* PC4 Cylinder not recommended with positioner

Cylinder Actuators

Reverse Pressure, Resilient Plug, Metal Seat 80 psi (550 kPa) Air Supply

Valve Size	Actuator Code	Maximum Shutoff 80 psi 550 kPa
3" 80mm	GS-6A-PC4*	175 1210
	GS-6A-PC6	175 1210
4" 100mm	GS-6A-PC4*	175 1210
	GS-6A-PC6	175 1210
5 & 6" 125 & 150mm	GS-6A-PC4*	25 170
	GS-6A-PC6	175 1210
8" 200mm	GS-6A-PC6	75 520
	GS-6A-PC8	175 1210
10" 250mm	GS-6A-PC6	25 170
	GS-6A-PC8	75 520
	GS-12A-PC6	125 860
	GS-12A-PC8	175 1210
12" 300mm	GS-6A-PC8	25 170
	GS-12A-PC6	50 340
	GS-12A-PC8	150 1030
	GS-12A-PC10	175 1210
14" 350mm	GS-12A-PC8	75 520
	GS-12A-PC10	150 1030
16" 400mm	GS-12A-PC8	25 170
	GS-12A-PC10	100 690
	O/A	150 1030
18" 450mm	GS-12A-PC10	25 170
	O/A	150 1030
20" 500mm	GS-12A-PC10	25 170
	O/A	150 1030
24" 600mm	O/A	150 1030
30" 750mm	O/A	150 1030
36" 900mm	O/A	150 1030

* PC4 Cylinder not recommended with positioner

Spring-Return

To order spring-return cylinder actuators, add the order code from the proper chart to the basic valve order code. Specify actuator action as second line information. Actuators can be mounted at 90 degree increments clockwise from standard. Specify mounting positions other than standard as second line information.

Resilient Plug, Metal Seat, Direct Pressure or Reverse Pressure Less Than 25 psi (170 kPa)

Spring-To-Close (Air-To-Open)

Valve Size	Order Code	Maximum Shutoff Pressure Differential
		Air Supply 50 psi 340 kPa
3 & 4" 80 & 100mm	GS-6A-SC8	125 860
5 & 6" 125 & 150mm	GS-6A-SC8	25 170
8" 200mm	GS-12A-SC10	50 340

Spring-To-Open (Air-To-Close)

Valve Size	Order Code	Maximum Shutoff Pressure Differential
		Air Supply 50 psi 340 kPa
3 & 4" 80 & 100mm	GS-6A-SC6-A	175 1210
5 & 6" 125 & 150mm	GS-6A-SC6-A	25 170
	GS-6A-SC8-A	100 690
8" 200mm	GS-12A-SC10-A	175 1210
10" 250mm	GS-12A-SC10-A	125 860
12" 300mm	GS-12A-SC10-A	75 520

Note: Contact Application Engineering for actuator sizing when reverse pressures are greater than 25 psi (170 kPa). Furnish service conditions.

Ordering Example:

PEF,6,F1,CI,NBR,CR*GS-6A-SC8-A

Accessories – Cylinder Actuators

Positioners

For use on all cylinder actuators. To order positioners, refer to bulletin 80.01-4.

3- & 4-Way Solenoid Valve (3V & 4V)

For use on cylinder actuators. To order solenoids, refer to bulletin 84.00-1.

4-Way Control Valve (CV)

For use on double-acting cylinder actuators. Order as a separate item by giving ACC* followed by appropriate 3-digit code from the table below. To order as part of a complete valve/actuator assembly, enter code from table below to the valve/actuator order code.

Pneumatic Actuators

Valve Size	NPT Size	Order Code
All Sizes	.25" 6.4mm	CV201

Hydraulic Actuators

Valve Size	NPT Size	Order Code
3-8" 80-200mm	.375" 9.5mm	CV202
10-36" 250-900mm	.5" 13mm	CV203

Ordering Example:

ACC*CV201 (separate item)

Ordering Example:

PEF,6,F1,C1,NBR,CR*GS-6A-PC6,CV201

Position Indicating Switches (SEH)

For use on G-Series Actuators. To order switches, refer to bulletin 83.00-1.

Air Filter Regulator (AFR2)

For use on all pneumatic actuators. To order, refer to bulletin 83.00-2.

Filter/Strainer (FH/FP)

Filter for pneumatic actuators, strainer for hydraulic actuators. Order as a separate item per table below (not mounted).

Description	Order Code
Pneumatic Filter	ACC*PCFP
Hydraulic Strainer	ACC*PCFH

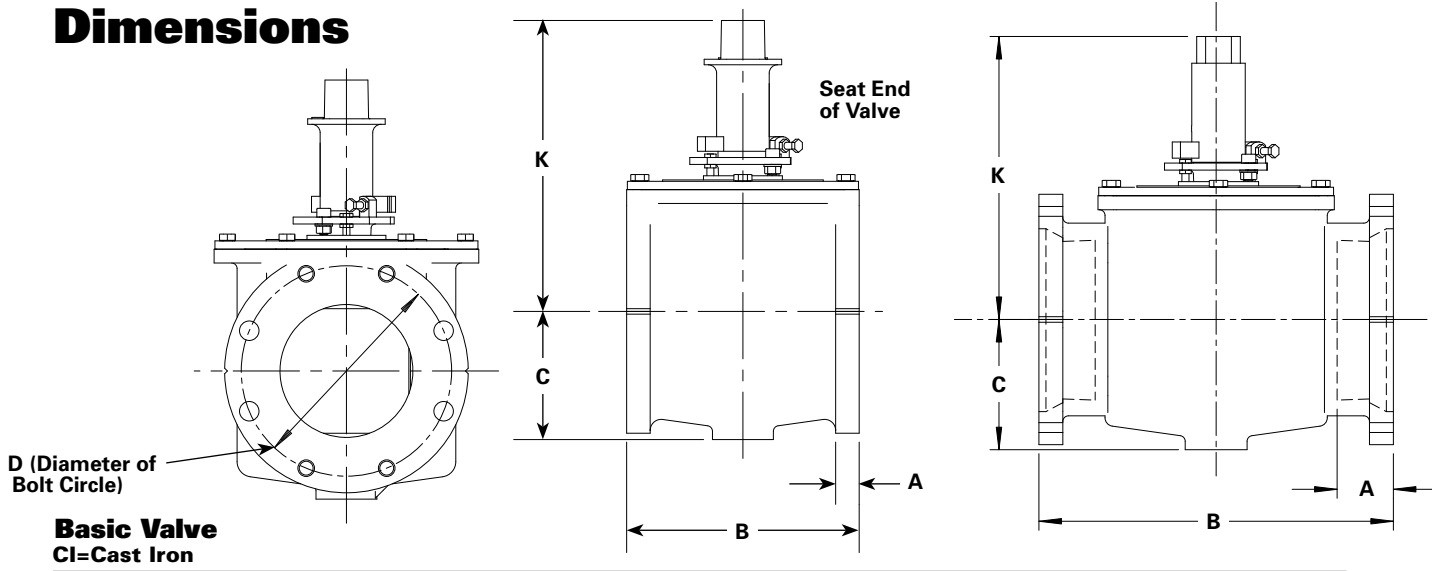
Ordering Example:

ACC*PCFP

Electric Motors

DeZURIK offers a variety of electric motor actuators on PEF Eccentric Plug valves. When ordering, please specify valve function, installation location, line fluid, maximum fluid temperature, pipe connection, line size, normal and maximum working pressure, normal and maximum wide open valve flow, and flow range desired if throttling or modulating control.

Dimensions



Basic Valve
CI=Cast Iron

Valve Size	A		B		C	D (Flanged)	
	Flanged CI	Mechanical Joint	Flanged	Mechanical Joint			
3" 80mm	0.83 21	2.50 63	8.00 203	11.50 292	3.56 90	6.00 152	
4" 100mm	1.02 26	2.50 63	9.00 229	14.25 362	4.43 113	7.50 191	
5 & 6" 125 & 150mm	1.04 26	2.50 63	10.50 267	15.75 400	5.79 147	5" (125mm) 6" (150mm)	
						8.50 216	9.50 241
8" 200mm	1.23 31	2.50 63	11.50 292	17.38 441	7.65 194	11.75 298	
10" 250mm	1.30 33	2.50 63	13.00 330	19.38 492	9.19 233	14.25 362	
12" 300mm	1.36 35	2.50 63	14.00 355	20.75 527	11.53 293	17.00 432	
14" 350mm	1.50 38	3.50 89	17.00 431	24.50 622	12.06 306	18.75 476	
16" 400mm	1.55 39	3.50 89	17.75 450	27.25 692	14.13 359	21.25 540	
18" 450mm	1.68 43	3.50 89	21.50 546	29.25 743	15.57 395	22.75 578	
20" 500mm	1.76 45	3.50 89	23.50 596	31.00 787	16.81 427	25.00 635	
24" 600mm	2.06 52	3.50 89	42.00 1067	42.00 1067	19.31 490	29.50 749	
30" 750mm	2.53 64	4.00 102	51.00 1295	51.00 1524	21.75 552	36.00 914	
36" 900mm	2.78 71	4.00 102	60.00 1524	60.00 1524	26.38 670	42.75 1086	

Inch
Millimeter

Nut Actuated Valves (NT) 3-8" (80-200mm)

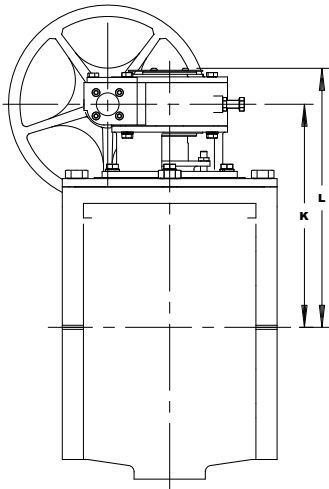
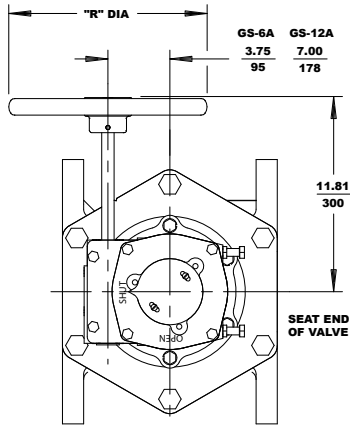
Valve Size	K
3" 80mm	9.38 203
4" 100mm	9.88 219
5 & 6" 125 & 150mm	12.31 313
8" 200mm	15.56 395

Inch
Millimeter

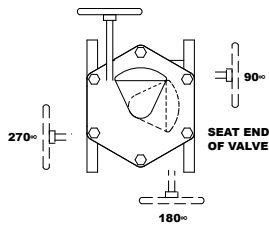
Note: All dimensions are subject to change without notice. Request certified drawings for use in preparing piping layout.

Dimensions

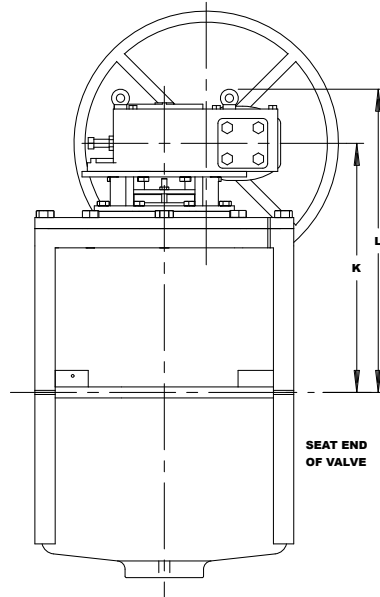
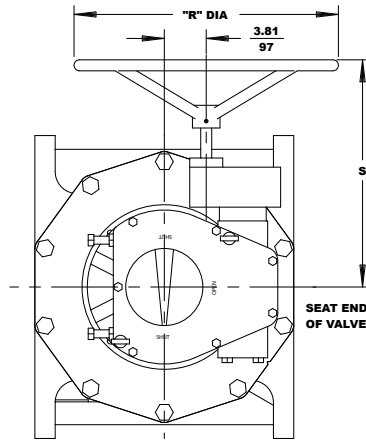
HANDWHEEL 3-20" (80-500mm)
GS-6A-HD_ & GS-12A-HD_



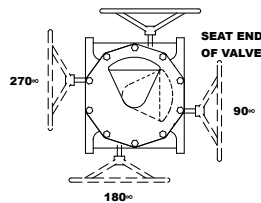
ACTUATOR MOUNTING POSITIONS
STANDARD POSITION



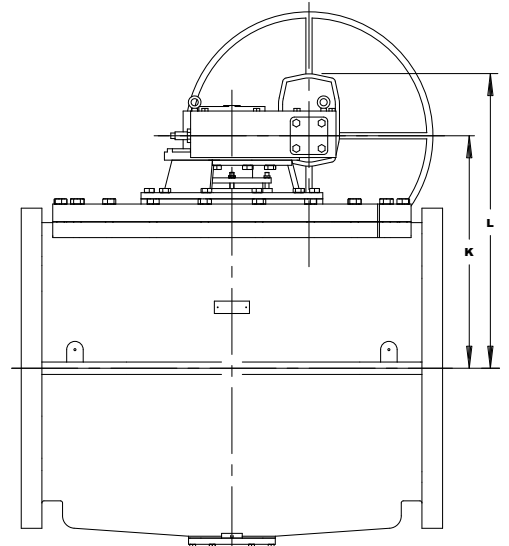
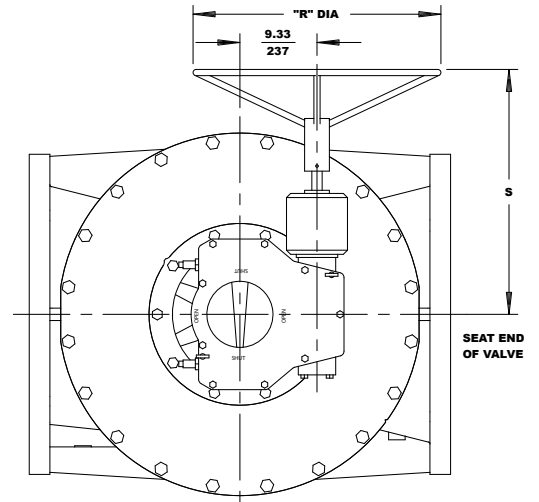
HANDWHEEL 16-30" (400-750mm)
MG-MJ50-HD_



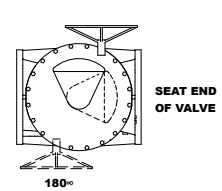
ACTUATOR MOUNTING POSITIONS
STANDARD POSITION



HANDWHEEL 30-36" (750-900mm)
MG-ML60-HD_

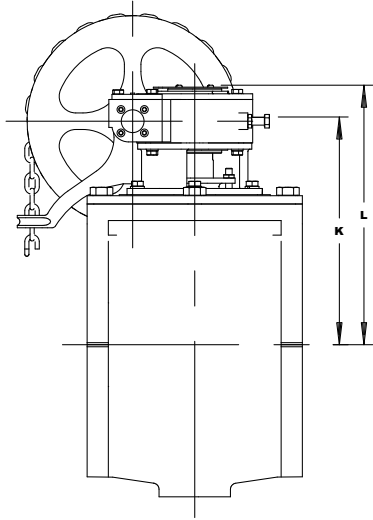
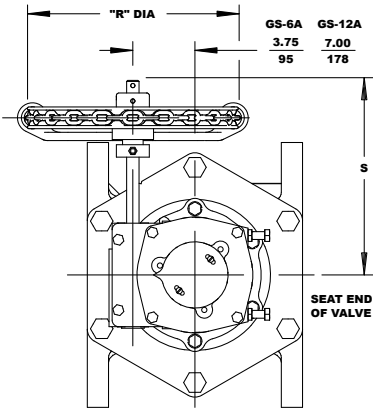


ACTUATOR MOUNTING POSITIONS
STANDARD POSITION

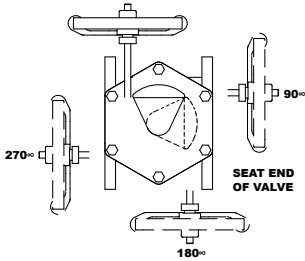


Dimensions

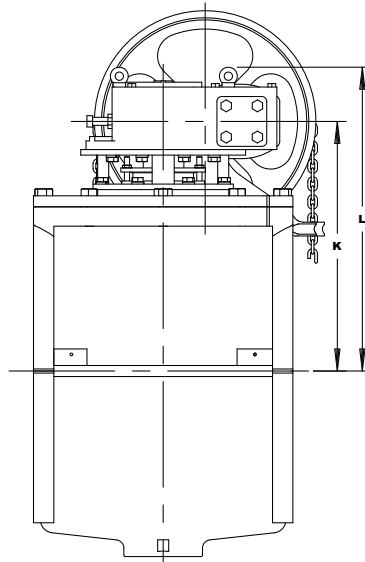
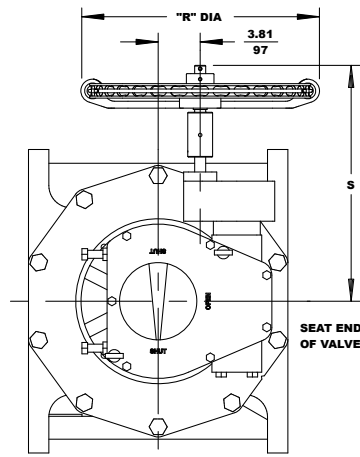
CHAINWHEEL 3-20" (80-500mm)
GS-6A-CW_ & GS-12A-CW_



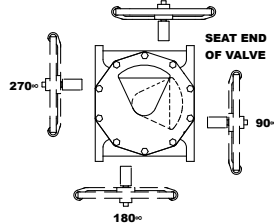
ACTUATOR MOUNTING POSITIONS
STANDARD POSITION



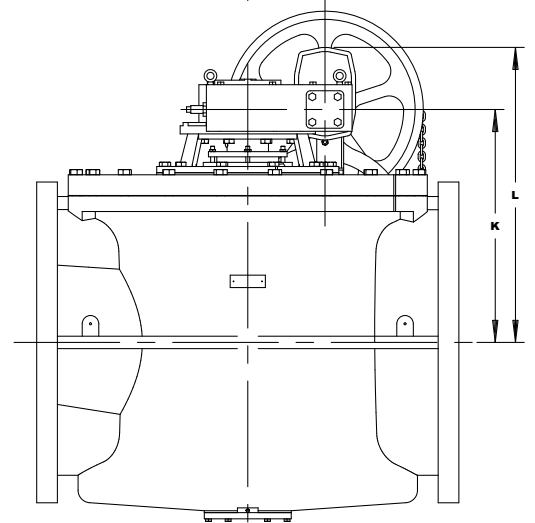
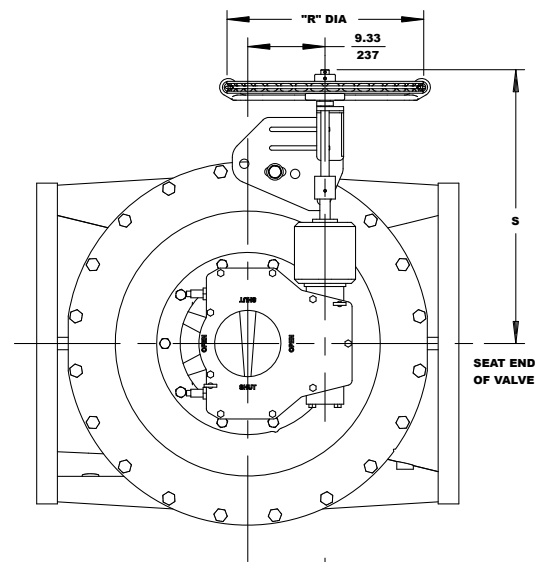
CHAINWHEEL 16-30" (400-750mm)
MG-MJ50-CW_



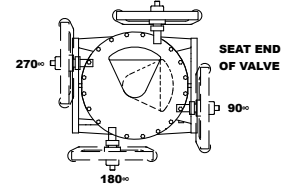
ACTUATOR MOUNTING POSITIONS
STANDARD POSITION



CHAINWHEEL 30-36" (750-900mm)
MG-ML60-CW_

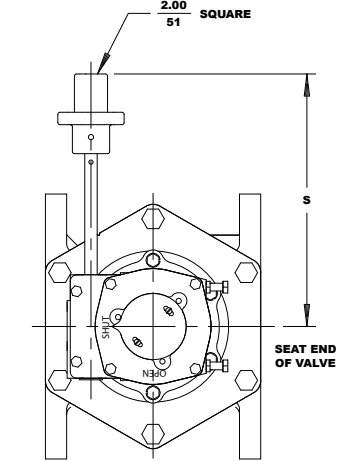


ACTUATOR MOUNTING POSITIONS
STANDARD POSITION

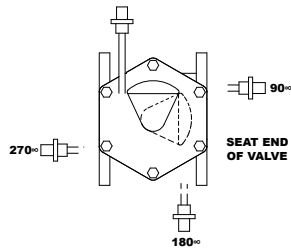


Dimensions

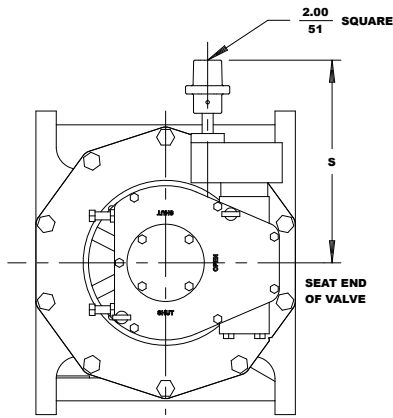
NUT 3-20" (80-500mm)
GS-6A-N_ & GS-12A-N_



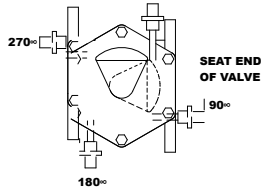
ACTUATOR MOUNTING POSITIONS
STANDARD POSITION



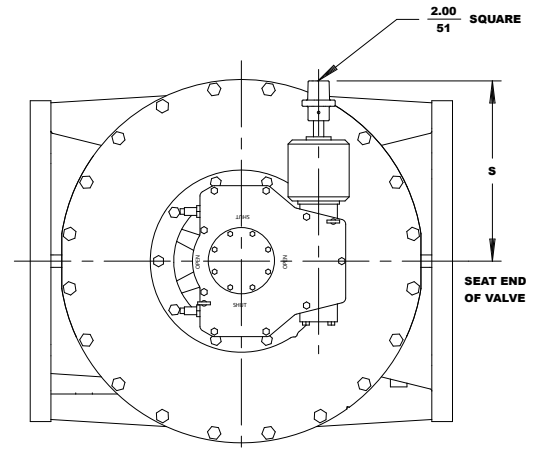
NUT 16-30" (400-750mm)
MG-MJ50-N_



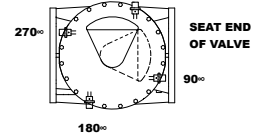
ACTUATOR MOUNTING POSITIONS
STANDARD POSITION



NUT 30-36" (750-900mm)
MG-ML60-N_



ACTUATOR MOUNTING POSITIONS
STANDARD POSITION



Dimensions

Handwheel/Chainwheel/Nut Actuated Valves

Valve Size	Actuator Code	K		L		R		S		
		HD	CW	HD	CW	HD	CW	HD	CW	2" Nut (N)
3" 80mm	GS-6A-HD8 (N)	8.00 203		10.69 272		8.00 203		11.81 300	—	15.25 387
	GS-6A-CW8	8.00 203		10.69 272		8.00 203		—	11.75 298	—
4" 100mm	GS-6A-HD8 (N)	8.62 219		11.31 287		8.00 203		11.81 300	—	15.25 387
	GS-6A-CW8	8.62 219		11.31 287		8.00 203		—	11.75 298	—
5 & 6" 125 & 150mm	GS-6A-HD8 (N)	9.75 248		12.44 316		8.00 203		11.81 300	—	15.25 387
	GS-6A-CW8	9.75 248		12.44 316		8.00 203		—	11.75 298	—
8" 200mm	GS-6A-HD8 (N)	12.09 307		14.78 375		8.00 203		11.81 300	—	15.25 387
	GS-6A-CW8	12.09 307		14.78 375		8.00 203		—	11.75 298	—
	GS-6A-HD12	12.09 307		14.78 375		12.00 305		11.81 300	—	—
	GS-6A-CW12	12.09 307		14.78 375		12.00 305		—	11.75 298	—
10" 250mm	GS-6A-HD8 (N)	13.50 343		16.19 411		8.00 203		11.81 300	—	15.25 387
	GS-6A-CW8	13.50 343		16.19 411		8.00 203		—	11.75 298	—
	GS-6A-HD12	13.50 343		16.19 411		12.00 305		11.81 300	—	—
	GS-6A-CW12	13.50 343		16.19 411		12.00 305		—	11.75 298	—
	GS-12A-HD12 (N)	14.88 378		17.62 500		12.00 305		15.12 384	—	16.69 424
	GS-12A-CW12	14.88 378		17.62 500		12.00 305		—	14.38 365	—
	GS-12A-HD16	14.88 378		17.62 500		16.00 406	—	15.48 393	—	16.69 424
GS-12A-CW20	14.88 378		17.62 500		—	20.00 508	—	14.38 365	—	
12" 300mm	GS-6A-HD12 (N)	15.56 395		18.25 464		12.00 305		11.81 300	—	15.25 387
	GS-6A-CW12	15.56 395		18.25 464		12.00 305		—	11.75 298	—
	GS-12A-HD12 (N)	16.94 430		19.69 500		12.00 305		15.12 384	—	16.69 424
	GS-12A-CW12	16.94 430		19.69 500		12.00 305		—	14.38 365	—
	GS-12A-HD16	16.94 430		19.69 500		16.00 406	—	15.48 393	—	—
	GS-12A-HD20	16.94 430		19.69 500		20.00 508		15.48 393	—	—
	GS-12A-CW20	16.94 430		19.69 500		20.00 508		—	14.38 365	—
14" 350mm	GS-12A-HD12 (N)	18.25 464		21.00 533		12.00 305		18.12 460	—	19.69 500
	GS-12A-CW12	18.25 464		21.00 533		12.00 305		—	17.38 441	—
	GS-12A-HD16	18.25 464		21.00 533		16.00 406	—	18.50 470	—	—
	GS-12A-HD20	18.25 464		21.00 533		20.00 508		18.50 470	—	—
	GS-12A-CW20	18.25 464		21.00 533		20.00 508		—	17.38 441	—
	GS-12A-HD24	18.25 464		21.00 533		24.00 610		22.19 564	—	—
	GS-12A-CW24	18.25 464		21.00 533		24.00 610		—	17.38 441	—
16" 400mm	GS-12A-HD16 (N)	19.69 500		22.44 570		16.00 406	—	18.50 470	—	19.69 500
	GS-12A-HD20	19.69 500		22.44 570		20.00 508		18.50 470	—	—
	GS-12A-CW20	19.69 500		22.44 570		20.00 508		—	17.38 441	—
	GS-12A-HD24	19.69 500		22.44 570		24.00 610		22.19 564	—	—
	GS-12A-CW24	19.69 500		22.44 570		24.00 610		—	17.38 441	—
	MG-MJ50-HD12(N)	19.56 497		23.08 586		12.00 305		16.69 424	—	19.81 563
	MG-MJ50-CW12	19.56 497		23.08 586		12.00 305		—	16.31 414	—

Dimensions

Handwheel/Chainwheel/Nut Actuated Valves (continued)

Valve Size	Actuator Code	K		L		R		S		
		HD	CW	HD	CW	HD	CW	HD	CW	2" Nut (N)
18" 450mm	GS-12A-HD20 (N)	20.94 532		23.69 602		20.00 508		18.50 470	—	19.69 500
	GS-12A-CW20	20.94 532		23.69 602		20.00 508		—	17.38 441	—
	GS-12A-HD24	20.94 532		23.69 602		24.00 610		22.19 564	—	—
	GS-12A-CW24	20.94 532		23.69 602		24.00 610		—	17.38 441	—
	GS-12A-HD30	20.94 532		23.69 602		30.00 762		23.69 602	—	—
	GS-12A-CW30	20.94 532		23.69 602		30.00 762		—	17.38 441	—
	MG-MJ50-HD20 (N)	20.81 529		24.08 586		20.00 508		17.06 433	—	19.81 503
	MG-MJ50-CW20	20.81 529		24.08 586		20.00 508		—	16.31 414	—
	MG-MJ50-HD24	20.81 529		24.08 586		24.00 610		20.62 524	—	—
	MG-MJ50-CW24	20.81 529		24.08 586		24.00 610		—	16.31 414	—
20" 500mm	GS-12A-HD24 (N)	22.75 578		25.50 648		24.00 610		22.19 564	—	19.69 500
	GS-12A-CW24	22.75 578		25.50 648		24.00 610		—	17.38 441	—
	GS-12A-HD30	22.75 578		25.50 648		30.00 762		23.69 602	—	—
	GS-12A-CW30	22.75 578		25.50 648		30.00 762		—	17.38 441	—
	MG-MJ50-HD24 (N)	22.62 575		26.14 664		24.00 610		20.62 524	—	19.81 503
	MG-MJ50-CW24	22.62 575		26.14 664		24.00 610		—	21.38 543	—
24" 600mm	MG-MJ50-HD12 (N)	25.28 642		28.83 732		12.00 305		16.88 424	—	19.81 503
	MG-MJ50-CW12	25.28 642		28.83 732		12.00 305		—	27.45 697	—
	MG-MJ50-HD24	25.28 642		28.83 732		24.00 610		20.94 524	—	—
	MG-MJ50-CW24	25.28 642		28.83 732		24.00 610		—	27.45 697	—
	MG-MJ50-HD30	25.28 642		28.83 732		30.00 762		22.46 562	—	—
	MG-MJ50-CW30	25.28 642		28.83 732		30.00 762		—	27.45 697	—
30" 750mm	MG-MJ50-HD24 (N)	27.75 705		31.27 794		24.00 610		20.94 524	—	19.81 503
	MG-MJ50-CW24	27.75 705		31.27 794		24.00 610		—	33.08 840	—
	MG-MJ50-HD30	27.75 705		31.27 794		30.00 762		22.46 562	—	—
	MG-MJ50-CW30	27.75 705		31.27 794		30.00 762		—	33.08 840	—
	MG-ML60-HD24 (N)	28.14 715		35.62 905		24.00 610		30.25 768	—	23.25 591
	MG-ML60-CW24	28.14 715		35.62 905		24.00 610		—	33.08 840	—
36" 900mm	MG-ML60-HD24 (N)	32.64 829		40.12 1019		24.00 610		30.25 768	—	23.25 591
	MG-ML60-CW24	32.64 829		40.12 1019		24.00 610		—	33.08 840	—
	MG-ML60-HD30	32.64 829		40.12 1019		30.00 762		—	—	—
	MG-ML60-CW30	32.64 829		40.12 1019		30.00 762		—	—	—

Inch
Millimeter

Note: All dimensions are subject to change without notice.
Request certified drawings for use in preparing piping layout.

Dimensions

Cylinder Actuated Valves

Valve Size	Actuator Code	K	L	M	N	R (NPT)	P
3" 80mm	GS-6A-PC4	<u>8.00</u> 203	<u>10.88</u> 276	<u>18.88</u> 480	<u>2.19</u> 56	1 4	<u>11.35</u> 288
	GS-6A-PC6	<u>8.00</u> 203	<u>10.88</u> 276	<u>19.12</u> 486	<u>3.19</u> 81	1 2	<u>11.35</u> 288
4" 100mm	GS-6A-PC4	<u>8.62</u> 219	<u>11.50</u> 292	<u>18.88</u> 480	<u>2.19</u> 56	1 4	<u>11.35</u> 288
	GS-6A-PC6	<u>8.62</u> 219	<u>11.50</u> 292	<u>19.12</u> 486	<u>3.19</u> 81	1 2	<u>11.35</u> 288
5 & 6" 125 & 150mm	GS-6A-PC4	<u>9.75</u> 248	<u>12.62</u> 321	<u>18.88</u> 480	<u>2.19</u> 56	1 4	<u>11.35</u> 288
	GS-6A-PC6	<u>9.75</u> 248	<u>12.62</u> 321	<u>19.12</u> 486	<u>3.19</u> 81	1 2	<u>11.35</u> 288
	GS-6A-PC8	<u>9.75</u> 248	<u>12.62</u> 321	<u>19.38</u> 492	<u>4.56</u> 116	1 2	<u>11.35</u> 288
8" 200mm	GS-6A-PC6	<u>12.09</u> 307	<u>14.97</u> 380	<u>19.12</u> 486	<u>3.19</u> 81	1 2	<u>11.35</u> 288
	GS-6A-PC8	<u>12.09</u> 307	<u>14.97</u> 380	<u>19.38</u> 492	<u>4.56</u> 116	1 2	<u>11.35</u> 288
	GS-12A-PC6	<u>12.78</u> 325	<u>16.41</u> 417	<u>30.56</u> 776	<u>3.25</u> 83	1 2	<u>17.50</u> 445
	GS-12A-PC8	<u>12.78</u> 325	<u>16.41</u> 417	<u>30.88</u> 784	<u>4.25</u> 108	1 2	<u>17.50</u> 445
10" 250mm	GS-6A-PC6	<u>13.50</u> 343	<u>16.38</u> 416	<u>19.12</u> 486	<u>3.19</u> 81	1 2	<u>11.35</u> 288
	GS-6A-PC8	<u>13.50</u> 343	<u>16.38</u> 416	<u>19.38</u> 492	<u>4.56</u> 116	1 2	<u>11.35</u> 288
	GS-12A-PC6	<u>14.19</u> 360	<u>17.81</u> 452	<u>30.56</u> 776	<u>3.25</u> 83	1 2	<u>17.50</u> 445
	GS-12A-PC8	<u>14.19</u> 360	<u>17.81</u> 452	<u>30.88</u> 784	<u>4.25</u> 108	1 2	<u>17.50</u> 445
12" 300mm	GS-6A-PC6	<u>15.56</u> 395	<u>18.44</u> 468	<u>19.12</u> 486	<u>3.19</u> 81	1 2	<u>11.35</u> 288
	GS-6A-PC8	<u>15.56</u> 395	<u>18.44</u> 468	<u>19.38</u> 492	<u>4.56</u> 116	1 2	<u>11.35</u> 288
	GS-12A-PC6	<u>16.25</u> 413	<u>19.88</u> 505	<u>30.56</u> 776	<u>3.25</u> 83	1 2	<u>17.50</u> 445
	GS-12A-PC8	<u>16.25</u> 413	<u>19.88</u> 505	<u>30.88</u> 784	<u>4.25</u> 108	1 2	<u>17.50</u> 445
	GS-12A-PC10	<u>16.25</u> 413	<u>19.88</u> 505	<u>31.00</u> 787	<u>5.25</u> 133	3 4	<u>17.50</u> 445
14" 350mm	GS-12A-PC6	<u>17.56</u> 446	<u>21.19</u> 538	<u>30.56</u> 776	<u>3.25</u> 83	1 2	<u>17.50</u> 445
	GS-12A-PC8	<u>17.56</u> 446	<u>21.19</u> 538	<u>30.88</u> 784	<u>4.25</u> 108	1 2	<u>17.50</u> 445
	GS-12A-PC10	<u>17.56</u> 446	<u>21.19</u> 538	<u>31.00</u> 787	<u>5.25</u> 133	3 4	<u>17.50</u> 445
16" 400mm	GS-12A-PC6	<u>19.00</u> 483	<u>22.62</u> 575	<u>30.56</u> 776	<u>3.25</u> 83	1 2	<u>17.50</u> 445
	GS-12A-PC8	<u>19.00</u> 483	<u>22.62</u> 575	<u>30.88</u> 784	<u>4.25</u> 108	1 2	<u>17.50</u> 445
	GS-12A-PC10	<u>19.00</u> 483	<u>22.62</u> 575	<u>31.00</u> 787	<u>5.25</u> 133	3 4	<u>17.50</u> 445
18" 450mm	GS-12A-PC8	<u>20.25</u> 514	<u>23.88</u> 607	<u>30.88</u> 784	<u>4.25</u> 108	1 2	<u>17.50</u> 445
	GS-12A-PC10	<u>20.25</u> 514	<u>23.88</u> 607	<u>31.00</u> 787	<u>5.25</u> 133	3 4	<u>17.50</u> 445
20" 500mm	GS-12A-PC10	<u>22.06</u> 560	<u>25.69</u> 653	<u>31.00</u> 787	<u>5.25</u> 133	3 4	<u>17.50</u> 445

Inch
Millimeter

Note: All dimensions are subject to change without notice.
Request certified drawings for use in preparing piping layout.

Dimensions

Cylinder (Spring Return) Actuated Valves

Valve Size	Actuator Code	K	L	M	N	R (NPT)	P
3" 80mm	GS-6A-SC6	<u>8.00</u> 203	<u>10.88</u> 276	<u>30.00</u> 762	<u>3.19</u> 81	1 2	<u>11.35</u> 298
	GS-6A-SC8	<u>8.00</u> 203	<u>10.88</u> 276	<u>32.19</u> 818	<u>4.56</u> 116	1 2	<u>11.35</u> 298
4" 100mm	GS-6A-SC6	<u>8.62</u> 219	<u>11.50</u> 292	<u>30.00</u> 762	<u>3.19</u> 81	1 2	<u>11.35</u> 298
	GS-6A-SC8	<u>8.62</u> 219	<u>11.50</u> 292	<u>32.19</u> 818	<u>4.56</u> 116	1 2	<u>11.35</u> 298
5 & 6" 125 & 150mm	GS-6A-SC6	<u>9.75</u> 248	<u>12.62</u> 321	<u>30.00</u> 762	<u>3.19</u> 81	1 2	<u>11.35</u> 298
	GS-6A-SC8	<u>9.75</u> 248	<u>12.62</u> 321	<u>32.19</u> 818	<u>4.56</u> 116	1 2	<u>11.35</u> 298
8" 200mm	GS-6A-SC6	<u>12.09</u> 307	<u>14.97</u> 380	<u>30.00</u> 762	<u>3.19</u> 81	1 2	<u>11.35</u> 298
	GS-6A-SC8	<u>12.09</u> 307	<u>14.97</u> 380	<u>32.19</u> 818	<u>4.56</u> 116	1 2	<u>11.35</u> 298
	GS-12A-SC10	<u>12.78</u> 325	<u>16.41</u> 417	<u>46.00</u> 1168	<u>5.25</u> 133	3 4	<u>17.50</u> 445
10" 250mm	GS-12A-SC10	<u>14.19</u> 360	<u>17.81</u> 452	<u>46.00</u> 1168	<u>5.25</u> 133	3 4	<u>17.50</u> 445
12" 300mm	GS-12A-SC10	<u>16.25</u> 413	<u>19.88</u> 505	<u>46.00</u> 1168	<u>5.25</u> 133	3 4	<u>17.50</u> 445

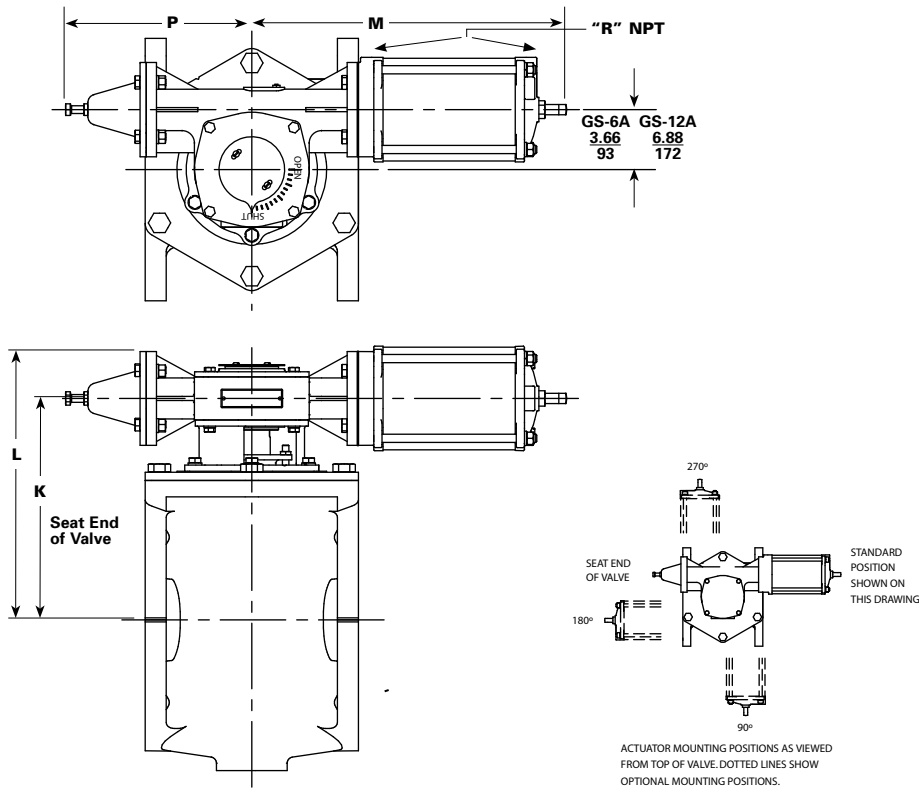
Inch

Millimeter

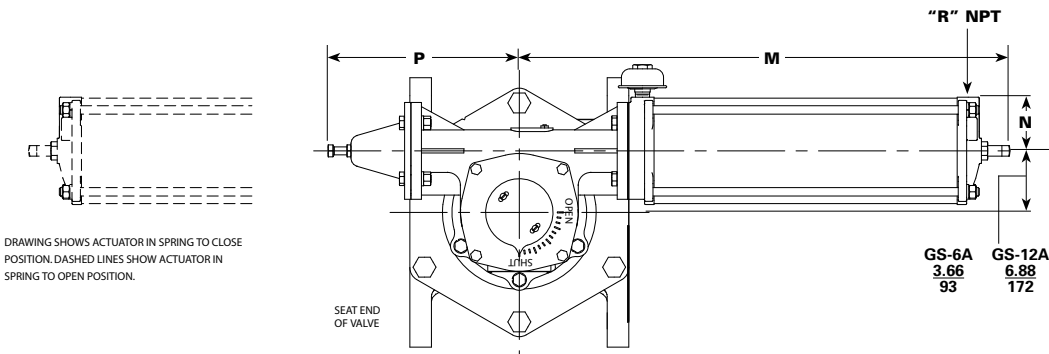
Note: All dimensions are subject to change without notice.
Request certified drawings for use in preparing piping layout.

Dimensions

Cylinder Actuated Valves



Cylinder Actuated Valves (Spring Return)



Sales and Service

For information about our worldwide locations, approvals, certifications and local representative:
 Web Site: www.dezurik.com E-Mail: info@dezurik.com



250 Riverside Ave. N. Sartell, Minnesota 56377 • Phone: 320-259-2000 • Fax: 320-259-2227

DeZURIK reserves the right to incorporate our latest design and material changes without notice or obligation. Design features, materials of construction and dimensional data, as described in this bulletin, are provided for your information only and should not be relied upon unless confirmed in writing by DeZURIK. Certified drawings are available upon request.